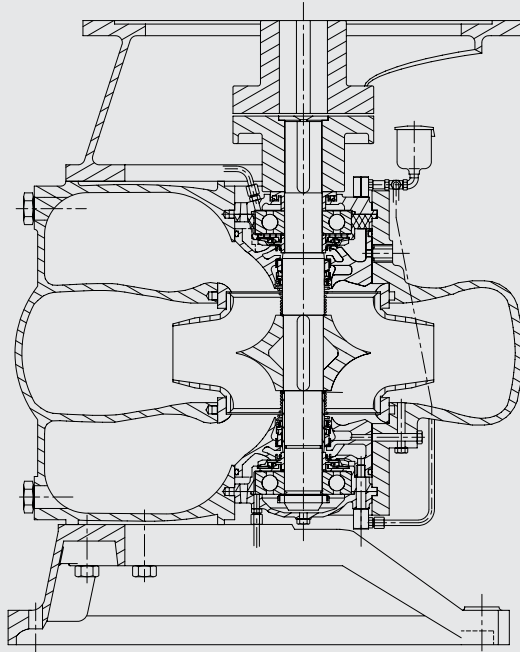


CENTRIFUGAL PUMPS MODEL CA

**Sectional Drawing
CAC Single Stage**



DESCRIPTION

Between bearings pumps which can operate in both vertical in line foot mounted and horizontal installations. Available in both single and two stage impeller. Compact axially split casing design with double suction capabilities with low NPSH requirement.

SINGLE STAGE

Capacity: 800-4500 m³/h

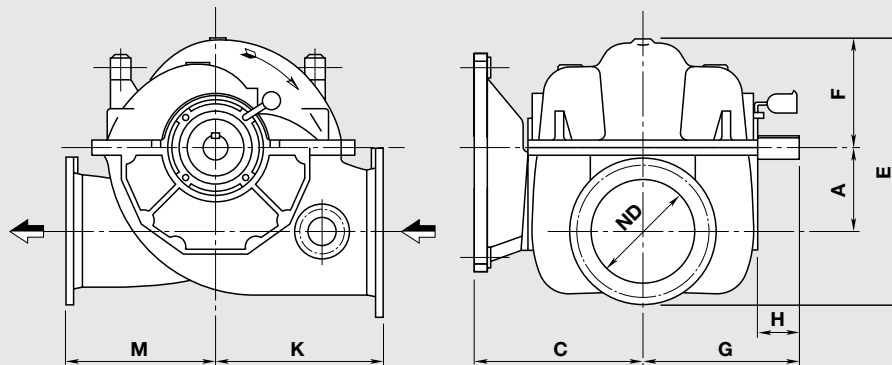
Differential pressure: up to 40 mlc.

TWO STAGE

Capacity: 100-400 m³/h

Differential pressure: up to 120 mlc.

TECHNICAL SPECIFICATION



DIMENSIONS (mm)

Pump Size	Inlet ND	Outlet ND	A	C	E	F	G	H	K	M	Weight* (kg)
CAC 200	200	200	200	400	395	256	345	120	400	400	440
CAC 250	250	250	225	400	423	288	345	120	450	450	470
CAC 300	350	300	250	425	792	316	370	120	560	560	620
CAD 350	400	350	280	563	563	355	523	135	560	500	970
CAD 400	450	400	340	600	648	415	523	98	630	560	1270
CAD 450	500	450	380	705	715	480	618	93	750	600	1610
CAD 500	600	500	400	705	790	505	618	93	780	680	1700

*Approximate Weight

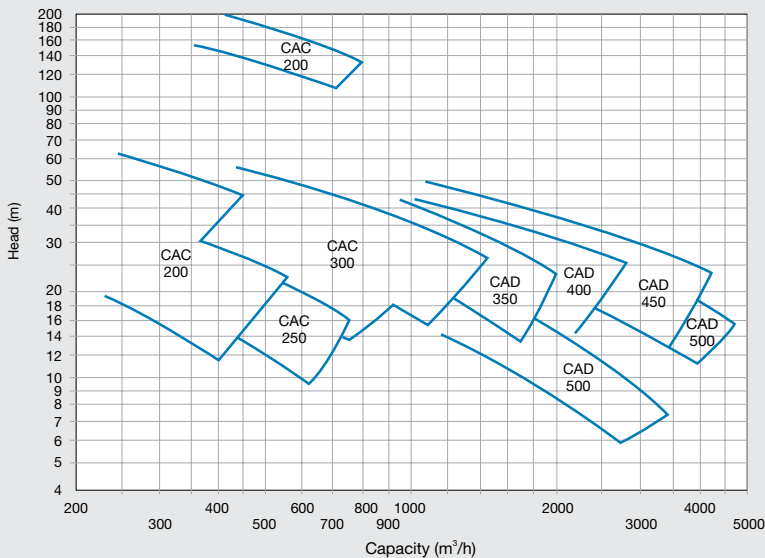
CONSTRUCTION CODE

CA - C125R - H048 - AAN - D - F01C1 - CNB

PUMP TYPE	
PUMP SIZE & MODEL	
C200 C250 C300	
D350 D400 D450 D500	
PUMP VERSION	
R - Regular	
S - Special	
PUMP CONFIGURATION	
H048/V048	
H031	
H068/V068	
H084/V084	
H911	
H064/V064	
MATERIALS OPTION FOR CASING	
A - Ni Al Bronze - ASTM B148 958	
Z - Super Duplex - ASTM A890 CE3M	
S - Stainless Steel - ASTM A743 CF8M	
MATERIALS OPTION FOR IMPELLER	
A - Ni Al Bronze - ASTM B148 958	
Z - Super Duplex - ASTM A890 CE3M	
S - Stainless Steel - ASTM A743 CF8M	
MATERIALS OPTION FOR SHAFT	
N - Duplex - AISI 329, UNS 31803	
FLANGE OPTIONS AND SIZES	
D - DIN PN 16 or 25	
J - JIS 16K or 20K	
A - ANSI 150lbs or 300lbs	
DRIVER SIZES AND COUPLING OPTIONS	
MECHANICAL SEALS OPTIONS	
C - Unbalanced Carbon/Ceramic Faces	
S - Unbalanced Silicon Carbide/Carbon Faces	
ELASTOMERS MATERIALS	
N - Nitrile	
V - Viton	
WEAR RING MATERIALS	
B - Bronze	
C - Composite Materials - PEEK or similar alternative	

NOTE: For casings and impellers various additional material options may be available on request. e.g. other grades of bronze, Duplex, Nodular Cast Iron etc. For shafts various materials available on request e.g. Monel, Super Duplex - UNS32760 etc. Various mechanical seal options available on request e.g. balanced seal, harden faced seal faces, Hastelloy metals parts etc. For elastomers materials other options available on request e.g. EPDM.

CAPACITY RANGE



PUMP CONFIGURATION

H = Horizontal V = Vertical

H048	V048
H031	
H068	V068
H084	V084
H911	
H064	V064

CONTACT US

Hamworthy Pumps Singapore Pte Ltd

15 Benoi Crescent
Singapore 629978
Singapore
Tel: +65 6261 6066
Email: SGPumpSales@hamworthy-pumps.com

Hamworthy Pumps UK Ltd

Unit 4C New Fields Business Park
Stinsford Road, Poole
Dorset BH17 0NF
Tel: +44 (0) 788 6851102
Email: gbumps@hamworthy-pumps.com

Hamworthy Pumps
A Svanehøj Group Company

The manufacturers reserve the right to alter the specification and data to incorporate improvements in design. Certified drawings will be issued on request.

© All details copyright Hamworthy Pumps

Website: www.hamworthy-pumps.com